

HuanDu crossflow plate heat exchanger Selection Report

GENERAL INFORMATION

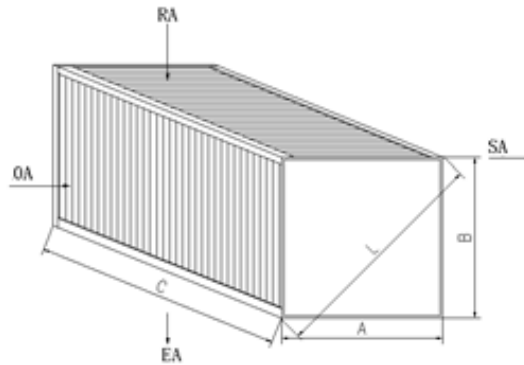
Client	Project Name
No.	Project No.
Qty.	Region /

RESULT

	Winter		Summer		
	OA	RA	OA	RA	
Ariflow	1800	1800	1800	1800	CMH
Dry bulb	35	170	35	170	°C
Rel. Hum.	57.46	38.28	58.73	49.22	%
Grains	20.44	290.71	20.91	431.42	g/kg
Enthalpy	87.76	989.41	88.96	1385.20	kJ/kg
Velocity	2.00	2.00	2.00	2.00	m/s
	SA	EA	SA	EA	
Ariflow	1800	1800	1800	1800	CMH
Dry bulb	104.18	97.65	100.82	107.35	°C
Grains	20.44	290.71	20.91	431.42	g/kg
Rel. Hum.	3.82	38.28	3.91	49.22	%
Enthalpy	160.23	877.65	157.97	1272.18	kJ/kg
Pre. Drop	96.83	96.83	96.83	96.83	Pa
Sensible Eff.	51.24	53.59	51.24	53.59	%
Sensible Recovery	29.91		-43.02		Kw
Condensation		0.00		0.00	L/h

PHYSICAL DATA

Model	HBS-ZF500/500-500-6.0G	
Corrugation height	6.0	mm
Size(A)	500	mm
Size(B)	500	mm
Length/pc(C)	500	mm
Quantity/set(n)	1	pc



Installation size(L)	710	mm	Description: It is made with modular structure,aluminium extruded sections,aluminium coated zinc plate.All the joints are sealed by sealant.
Type	G high temperature type		
Weight	13		