

**IMMERSION THERMOSTATS
SINGLE/DUAL FUNCTION**

EBS.. EBD..

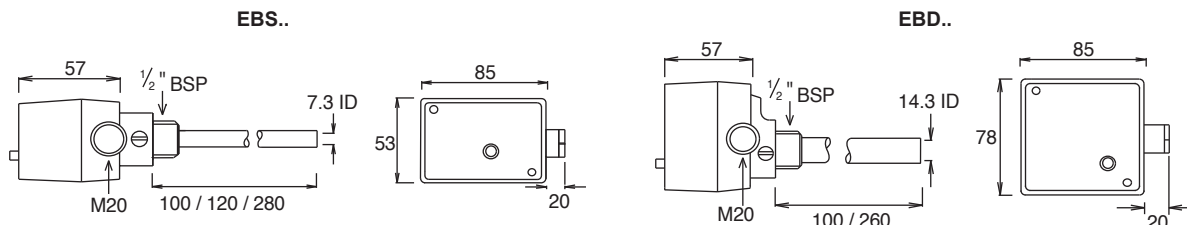
These products are used to monitor liquid temperatures in pipes, boilers, tanks etc. The liquid filled sensing enables a rapid response to temperature changes. The EBS is a single function thermostat and the EBD dual function has two separate thermostats inside the enclosure.



Hand reset models have a push button on the front cover.
Volt free contacts
Max. ambient 80°C (EBS-1 55°C)
All supplied complete with removable brass pocket 1/2" BSP.
Concealed adjustment
Enclosure Flammability = UL94-V0

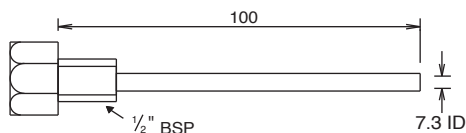
Type	Range °C		Control	Diff. °C	Limit	230VAC SPDT		Bulbwell Length	Max. Bulb Temp. °C	Enclosure
	Control	Limit				Control	Limit			
EBS-1	0/35	-	0.5	-	-	10(3)A	-	120	55	IP43
EBS-2	0/80	-	2	-	-	10(3)A	-	100	100	IP43
EBS-3	35/95	-	4	-	-	15(5)A	-	100	115	IP43
EBS-4	50/130	-	6	-	-	15(5)A	-	100	150	IP43
EBS-7	-	30/65	Hand reset open high	-	-	15(5)A	-	100	90	IP43
EBS-8	-	60/95	Hand reset open high	-	-	15(5)A	-	100	115	IP43
EBS-9	-	95/130	Hand reset open high	-	-	15(5)A	-	100	150	IP43
EBS-20/L280	0/70	-	2	-	-	10(3)A	-	280	90	IP43
EBS-30/L280	35/95	-	4	-	-	15(5)A	-	280	115	IP43
EBS-70/L280	-	30/65	Hand reset open high	-	-	15(5)A	-	280	90	IP43
EBS-80/L280	-	60/95	Hand reset open high	-	-	15(5)A	-	280	115	IP43
EBD-1	0/80	0/80	2	2	2	10(3)A	10(3)A	100	100	IP43
EBD-2	35/95	35/95	4	4	4	15(5)A	15(5)A	100	115	IP43
EBD-8	35/95	60/95	4	Hand reset open high	Hand reset open high	15(5)A	15(5)A	100	115	IP43
EBD-9	50/130	95/130	4	Hand reset	Hand reset	15(5)A	15(5)A	100	115	IP43
EBD-32/L260	35/95	35/95	4	4	4	15(5)A	15(5)A	260	115	IP43
EBD-38/L260	35/95	60/95	4	Hand reset open high	Hand reset open high	15(5)A	15(5)A	260	115	IP43

DIMENSIONS:

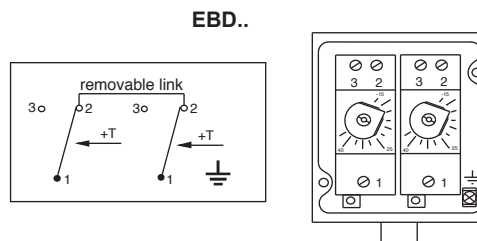
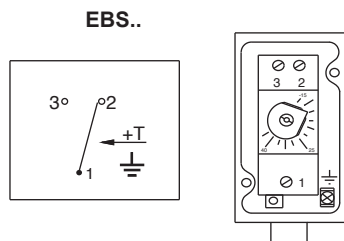


ACCESSORIES:

- EE-9B** Spare brass pocket 100mm for EBS-2..9 (NOT for EBS-1)
- EE-ST9** Stainless steel pocket 100mm for EBS-2..9 (NOT for EBS-1)



WIRING:



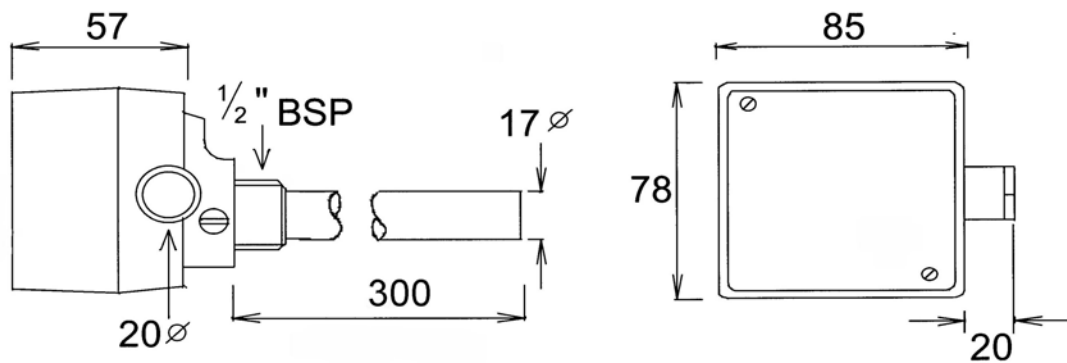
1-2 close on temp fall. 1-3 close on temp rise. OPEN HIGH Contact 1-2 opens on temp rise. Temp must fall to allow resetting

DUAL MECHANICAL THERMOSTAT

The Dual Mechanical thermostat contains two automatic resetting mechanical thermostats each with a range of 35 –95 °C with a fixed differential of 4°C, suitable for carrying an electrical current of 5 Amps. The plastic cover has to be removed to set the thermostats by a dial against an index mark. The plastic box is rated at IP54 and must be protected from accidental ingress of moisture.

All electrical connections are made through a 20mm gland and an earth connection is required. If a link is fitted it must be removed.

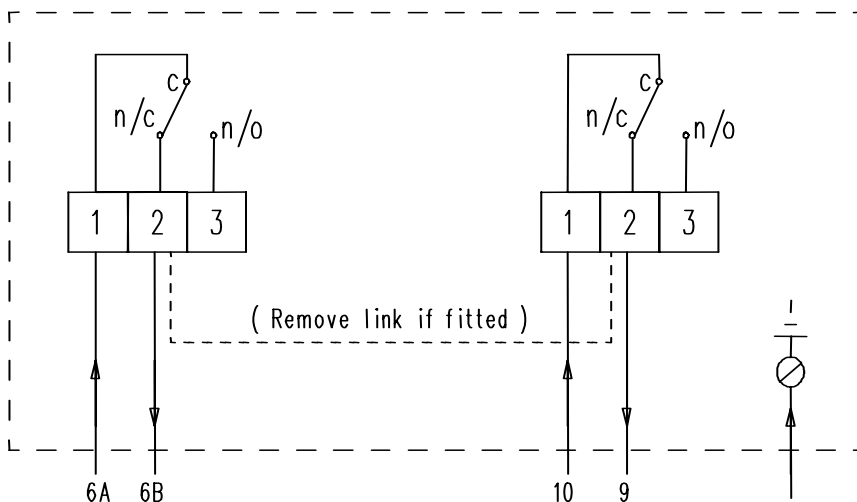
The thermostat is supplied complete with a brass thermostat pocket (suitable for clean water only – no corrosive chemicals) which will normally be discarded and replaced with a stainless steel one supplied by Lanemark to order. The pocket should be fitted into a ½” BSP boss on the outside of the tank or vessel with a suitable jointing compound. The pocket should be positioned so that work passing through the tank or vessel cannot accidentally hit or rest on it.



ELECTRICAL CONNECTIONS

LEFT HAND DIAL
HIGH TO LOW FIRE
(TYPICALLY SET TO 65°C)

RIGHT HAND DIAL
LOW FIRE TO ALL OFF
(TYPICALLY SET TO 70°C)



TERMINALS IN LANEMARK PANEL FOR HIGH/LOW CONTROL.

TERMINALS IN LANEMARK PANEL FOR ALL OFF CONTROL.

